



DATA SHEET

Ultra-micro Current Transformer

PN: CMCT123A

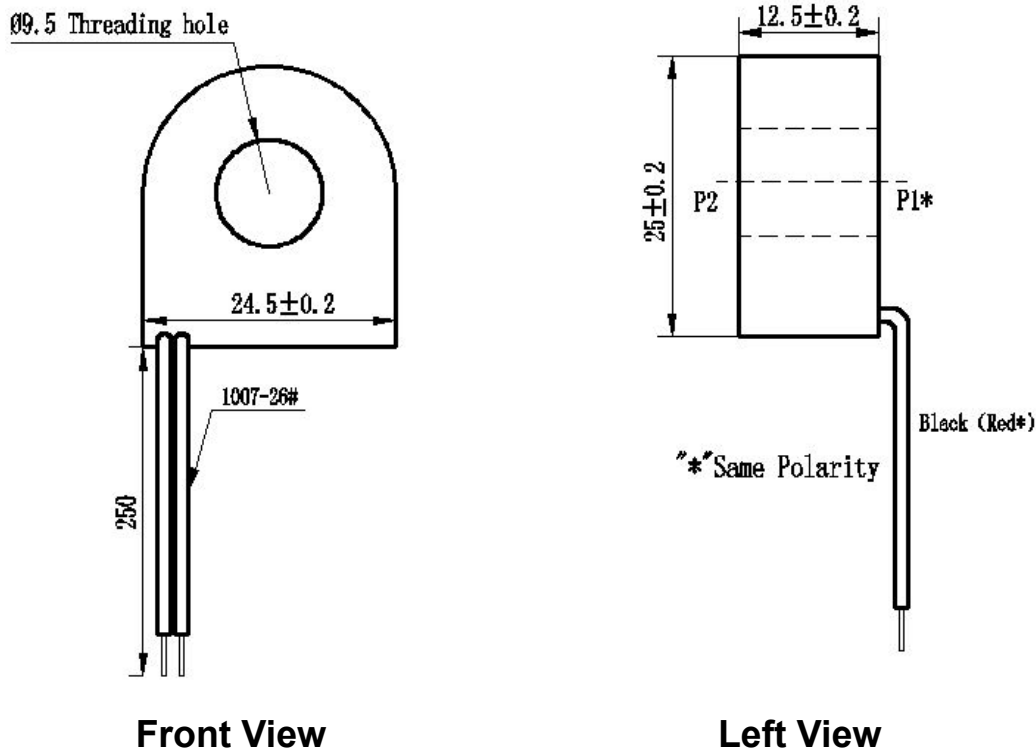
IPN=5A

Feature & Applications

- Small size
- High accuracy
- Good consistency.
- Used for power measurement and protection



Structural Parameter :



The Main Technical Parameters :

Model	CMCT123A
Rated input current	5A
Rated output current	2.5mA
Turns ratio	2000:1
Phase angle error	≤60' (Input 10A, sampling resistor 50Ω)
Linear range	0~80A (sampling resistor 50Ω)



Linearity	≤0.2% (5%dot~120%dot)
Permissible error	-0.5% ≤ f ≤+0.5% (Input 10A, sampling resistor 50Ω)
Isolation voltage	4500V
Application	Measurement or Protection
Encapsulation	Epoxy
Installation	Output leads installation (conventional lead length shown in drawing)
Operating temperature	-40°C~+85°C

Direction For Use:

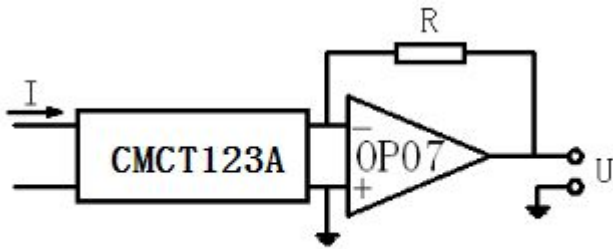
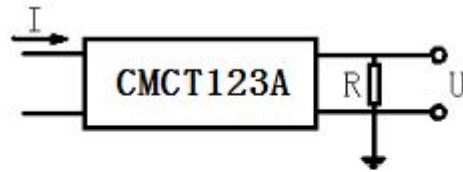


Figure I



$$U = \frac{I}{2000} \cdot R$$

I: input current
R: sampling resistor
U: sampling voltage

Figure II

1. The typical usage of the product is for the active output (Figure I). R is a sampling resistor.
2. The product can be directly through the resistance sampling, easy to use (Figure II).

